
CHALLENGER®

CH-35

HEAVY DUTY INTEGRATED TOWING & RECOVERY EQUIPMENT



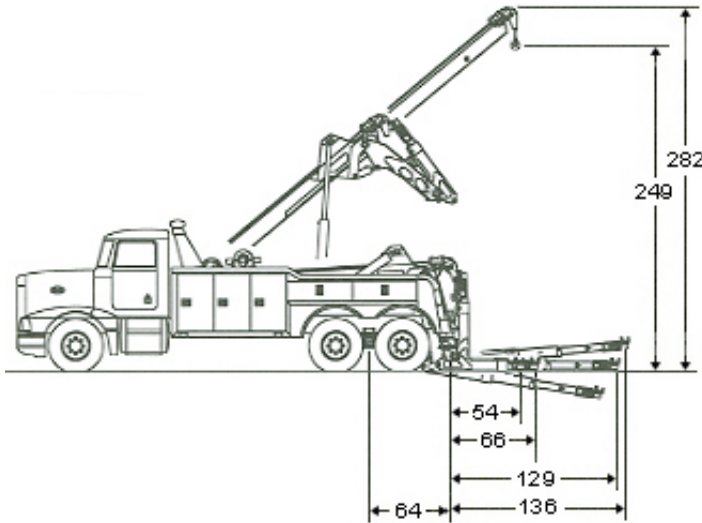
In a Class by Itself!

The CH-35 is 10 years of proven technology that has set the standard in integrated towing and recovery units, combined into an all-new package with many new and enhanced features. The recovery boom has been totally redesigned to provide increased reach and greater hydraulic power to tackle the toughest lifting and recovery jobs. For difficult-to-tow vehicles, the underlift enhancements include a fabricated 2nd and 3rd stage stinger to provide additional reach, along with increased positive and negative tilt for ease of hook-up and improved stinger clearance. The newly-designed tailboard incorporates diagonally-opposed outriggers and dual position feet to provide stability and holding power on a variety of surfaces. Contact your local Challenger distributor and find out how your heavy-duty towing and recovery business can benefit from the industry leader, the **Challenger CH-35**.

Note: Some optional equipment may be shown.

Challenger CH35

Wrecker Specifications



Body

Standard Body Configuration

- > 156" C.B. Steel

Optional Body Configuration

- > 156" C.B. Aluminum
- > 180" C.B. Steel or Aluminum
- > 204" C.B. Steel or Aluminum

Maximum frame height for the CH35 is 42".

Contact the factory for information on taller frame height.

Boom

Boom Structural Rating (S.A.E.)

- > Retracted 30° 70,000 lbs.
- > Extended 30° 22,000 lbs.

Maximum Extension	130"
Maximum Angle	40°
Maximum Hook Height	249"
Reach Past Underlift 3° Boom Angle.....	125"
Lift Cylinder Size.....	6" Bore
*Estimated Shipping Weight	14,220 lbs.

Winch

Winch Capacity	(2) 35,000 lbs.
Winch Type.....	Planetary
Cable Specifications	
> 3/4" x 250'	
> 6 x 37 I.W.R.C.	
Air Cable Tensioners	Standard
Air Winch Clutch Release	Standard

Underlift

Underlift Tilt.....	10° + 10° -
Capacity Fully Extended to C.L. of Forks	16,000 lbs. @ 129"
Capacity Fully Retracted to C.L. of Forks	35,000 lbs. @ 54"

Recommended Minimum Chassis

Front Axle	13,200
Rear Axle	40,000
Clear C.B.	156" C.B.
After Frame from Center of Rear Axle	40"
R.B.M.....	2,250,000 in/lb.

All recommendations are minimums, heavier specifications may be required depending on chassis and equipment weight, always consult your local distributor or the factory for additional information. The outside frame rails of chassis extending behind cab must be free of fuel tanks, air tanks, battery boxes, etc.

Standard Body Features

- Steel Modular Body
- 96" Wide
- 3 Large Forward Compartments
- Compartment Over Wheel Well
- Galvanized Double Panel Doors
- Door Checks
- Double Action Latches w/Key
- Federal #108 Lighting
- Flexible Wire Loom
- Toolbox Lights
- Rubber Fenderettes
- Mud Flaps
- Side Worklights
- Chain Rack
- Fork Holders
- Recessed Air & Electrical Hookups
- Shelves
- Rubber Isolators
- Enclosed Inner Wheel Wells
- Light Pylon – 3 Piece
- "D" Rings (Tail Board Mount)
- Power Touch System (Includes 15-Function Wired and Wireless Controllers, In-Cab Underlift Controls, and Front & Rear 12-Function Switch Panels)

Standard Boom Features

- Power Elevation
- Power Extension
- Dual Planetary Hydraulic Winches
- Air Cable Tensioners
- Air Free Spools
- Diagonal Rear Spade
- Flipper Foot Spade
- Dual Hydraulic Pump
- 360° Sheave Head
- Cable Tie Back (Boom)
- Dual Control Stations
- Hydraulic Pressure Gauges (Drivers Side)
- Tail Board Recovery Anchors

Standard Underlift Features

- Power Elevation
- Power Extension
- Power Tilt
- Hydraulic Fold
- 3 Stage Design
- 2 Piece Pivot Pin
- Upper/Lower Thrust Washer
- Handheld Lanyard
- Low Profile Crossbar

Standard Underlift Features (cont)

- 70° Pivoting Crossbar
- Low Profile Fork Holders
- 8 Sets Cast Steel Forks
- 1 Pair Spring Lift Adapters
- 1 Pair Hook Adapters
- Safety Chains in Rear Pockets

Optional Equipment

- Air Shift P.T.O.
- Tailgate Underlift Controls
- Additional Body Lengths
- Aluminum Modular Boxes
- Tunnel Crossovers
- 24", 30", 36", and 48" Tunnel Saddle Box
- LED Smart Lights (Aluminum body)
- Convenience Group (Rails & Steps)
- Aluminum Dress-up Kits
- Composite Aerodynamic Light Pylon
- Composite Boom Wings
- 7-Drawer Tool Box
- Folding Sink
- Fork Riser Brackets
- Offset Fort Holder Extensions
- Chain Hook Slide Adapter
- Pintle Hook Attachment
- 5th Wheel Plate (Requires Pintle Hook Attachment)
- King Pin Attachment (Requires Pintle Hook Attachment)
- Trailer Ball Adapter (Requires Pintle Hook Attachment)
- Heavy-Duty Tire Lift
- Tire Lift Storage Brackets
- Additional Lifting Forks
- Low Pull "D" Ring Kit
- Chain Kits
- Recovery Straps
- Snatch Blocks
- Boom Angle Indicator
- Light Bar
- Strobe Kits
- Work & Hookup Lighting
- Wide Load Light Bar
- On-Board Truck Scale
- Engine Data Information Center
- Rear Camera and Monitor
- Installation

All ratings are based on structural factors only, not vehicle capacities or capabilities. Specifications shown are approximations and may vary depending on chassis selected. Miller Industries Towing Equipment Inc. reserves the right to change or modify product and or specifications without notice or obligation. Some equipment shown is optional.



8503 Hilltop Drive
Ooltewah, TN 37363
PHONE (423) 238-4171
(800) 292-0330
FAX (423) 238-5371

DISTRIBUTED BY: