

# CENTURY®

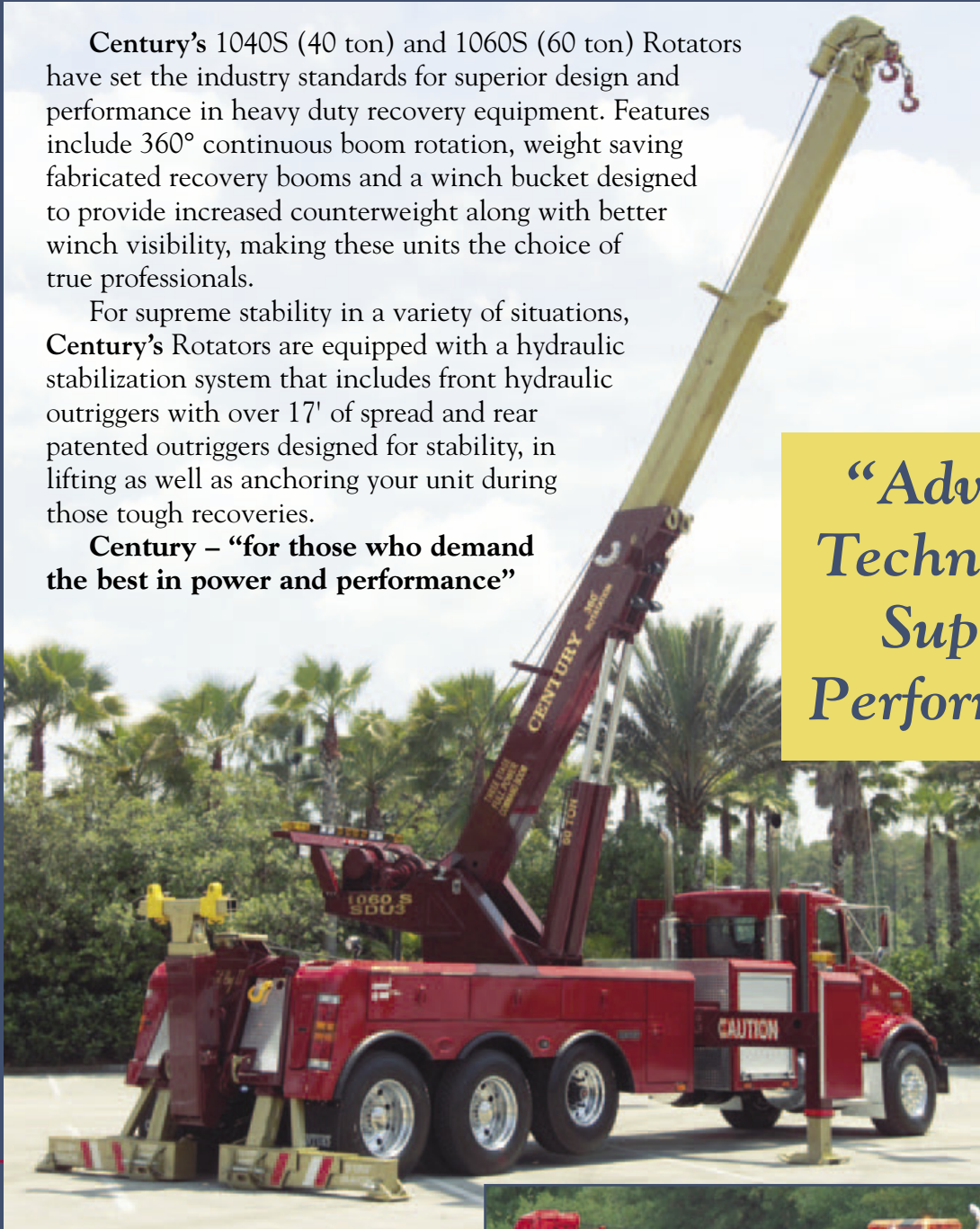
## Rotator & Fixed Boom Series

Century's 1040S (40 ton) and 1060S (60 ton) Rotators have set the industry standards for superior design and performance in heavy duty recovery equipment. Features include 360° continuous boom rotation, weight saving fabricated recovery booms and a winch bucket designed to provide increased counterweight along with better winch visibility, making these units the choice of true professionals.

For supreme stability in a variety of situations, Century's Rotators are equipped with a hydraulic stabilization system that includes front hydraulic outriggers with over 17' of spread and rear patented outriggers designed for stability, in lifting as well as anchoring your unit during those tough recoveries.

**Century – “for those who demand the best in power and performance”**

*“Advanced  
Technology...  
Superior  
Performance”*



Some Optional  
Equipment Shown

For the Professional Tower who prefers a fixed recovery boom with an independent underlift, Century offers 5 different booms ranging in capacities from 25 through 60 tons. All of these models are available with tandem or tri-axle tool compartments in steel or aluminum, diagonal multi-position rear spades and the SDU-3 underlift that operates independently from the recovery boom with no interference.



## Standard Body Features

- 156" CB (Fixed Boom) & 180" CB (Rotators)
- Large forward compartments
- Compartments over wheel well
- Double panel doors
- Door checks
- Double action latches w/key
- Federal #108 lighting
- Flexible wire loom
- Toolbox lights
- Rubber fenderettes
- Mud flaps
- Side worklights
- Chain rack
- Fork holders
- Attachment Storage
- Adjustable Shelves (N/A on Rotator)
- Rubber isolators
- Enclosed inner wheel wells
- Rigid torsional resistant mounting frame
- D rings on tailboard

- Load holding valve on boom elevation, and boom extension
- Suction oil flow shut off valve
- Dual variable speed hydraulic winches
- Cable tensioners
- Air free spools
- Hydraulic diagonal rear spades with multi position flipper feet (fixed boom)
- Hydraulic rear outriggers with removable flat & spade pads (rotator only)
- Hydraulic front outriggers (rotator only)
- House locks, secures wrecker in stored position 180 degrees apart (rotator only)
- 2-Stage Hydraulic pump (3-stage on rotator)
- 360 degree sheave head
- Cable tie back (boom)
- Dual control stations
- Hydraulic pressure gauges (driver side)
- Power Pal system, includes 8-function, hand-held lanyard control and 9-function floor-mounted switch panel
- 2 D rings mounted on outer and inner recovery boom (except 925)

- Upper/lower thrust washer
- Low profile crossbar
- 70 degree pivoting crossbar
- Low profile fork holders
- 8 sets cast steel forks
- 1 pair spring lift adapters
- 1 pair hook adapters
- Safety chains at rear tailgate

- Pintle hook attachment
- 5th wheel plate (requires pintle hook attachment)
- King pin attachment (requires pintle attachment)
- Heavy-duty tire lift
- Tire lift storage brackets
- Additional lifting forks
- Low pull "D" ring kit
- Chain kits
- Snatch blocks
- Boom angle indicator (standard on rotator)
- Light bar
- Strobe kits
- Work & hookup lighting
- Wide load light bar
- Low rider stringer with 156" reach
- Engine data information center
- Rear camera and monitor
- Power touch system, includes 8 or 15-function wired and wireless controllers, in-cab underlift controls, and front & rear 12 function switch panels
- Rear air and electrical hook-ups
- Side mounted "D" rings (rotator only)
- Single or dual rear mounted drag winches
- Installation
- Radio proportional controls

## Optional Equipment

- Air shift P.T.O.
- Tailgate underlift controls
- Additional body lengths
- Aluminum modular boxes
- 24", 30", 36", and 48" tunnel saddle box
- LED smart lights (aluminum body)
- Convenience group (rails & steps)
- Aluminum dress-up kits
- 3 Piece light pylon (NA on rotator)
- Composite aerodynamic light pylon (NA on all units)
- Composite pylon wings
- Winch bucket mounted light pylon with electrical collector ring for 360° boom rotation (rotator only)
- 7-drawer tool box
- Folding sink
- Offset fork holder extensions
- Fork riser brackets
- Chain hook slide adapter

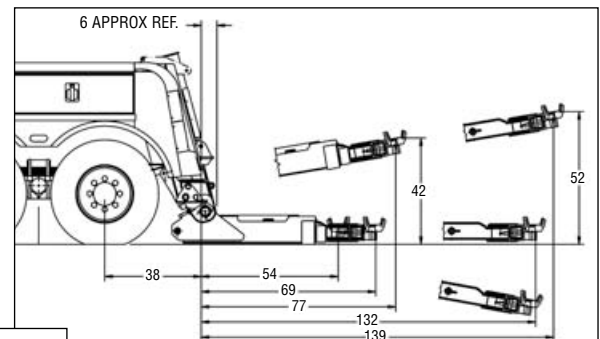
## Standard Boom Features

- Power elevation
- 2 Stage power boom extension with counter balance valve
- Hydraulic reservoir with removable clean out cover, tank drain and oil level sight gauge
- Nylatron bearing boom slide pads

## Standard Underlift Features

- Power elevation
- Power extension
- Power tilt
- Hydraulic fold
- 3 stage design
- 2 piece pivot pin

Winch Specifications	Winch Capacity	Winch Type	Cable Specifications	Cable Tensioners	Air Winch Clutch Release
925	25,000 lbs.	Worm Gear	5/8" x 200' 6x37 IWRC	Spring Standard	Standard
1040B	25,000 lbs	Worm Gear	5/8" x 200' 6x37 IWRC	Spring Standard	Standard
1040 1040S	35,000 lbs.	Planetary	3/4" x 200' 6x37 IWRC	Air Standard	Standard
1060 1060S	50,000 lbs.	Planetary	3/4" x 250' 6x37 IWRC	Air Standard	Standard



- Capacity fully retracted to C.L. of Forks - 55,000 lbs.
- Capacity fully extended to C.L. of Forks - 17,000 lbs.
- Towing Capacity - 80,000 lbs.
- Tilt - 10° positive, 10° negative

BOOM SPECIFICATIONS			Maximum Hook Height (inches)	Reach Past Tailboard at Minimum Boom Angle (inches)
Model	Boom Structural Rating (S.A.E) Retracted 30°	Maximum Angle		
925	50,000 lbs.	20,000 lbs.	45°	225"
1040B	80,000 lbs.	25,000 lbs.	55°	335"
1040	80,000 lbs.	25,000 lbs.	55°	335"
1040S	80,000 lbs.	25,000 lbs.	55°	352"
1060	120,000 lbs.	35,000 lbs.	60°	360"
1060 3-stage	120,000 lbs.	24,000 lbs.	60°	433"
1060S	120,000 lbs.	35,000 lbs.	60°	379"
1060S 3-stage	120,000 lbs.	24,000 lbs.	60°	450"

All ratings are based on structural factors only, not vehicle capacities or capabilities. Specifications shown are approximations and may vary depending on chassis selected. Miller Industries Towing Equipment Inc. reserves the right to change or modify product and or specifications without notice obligation. Some Equipment shown is optional

DISTRIBUTED BY:

# CENTURY®

**miller**  
INDUSTRIES  
TOWING EQUIPMENT INC.

8503 Hilltop Drive • Ooltewah, TN 37363 • [www.millerind.com](http://www.millerind.com)  
PHONE (423) 238-4171 • (800) 292-0330 • FAX (423) 238-5371

The SDU-3 provides 132" of reach with a lift capacity of 17,000 lbs. extended, and 55,000 lbs. retracted.



Century's SDU-3 is available with the optional Low Rider Stinger option which has a lift capacity of 18,000 lbs. at it's fully extended reach of 156". The fabricated low profile stinger design provides as much as 30° increased clearance between the underlift and towed vehicle, making it ideal for towing transit buses or motor coaches with set back axles.



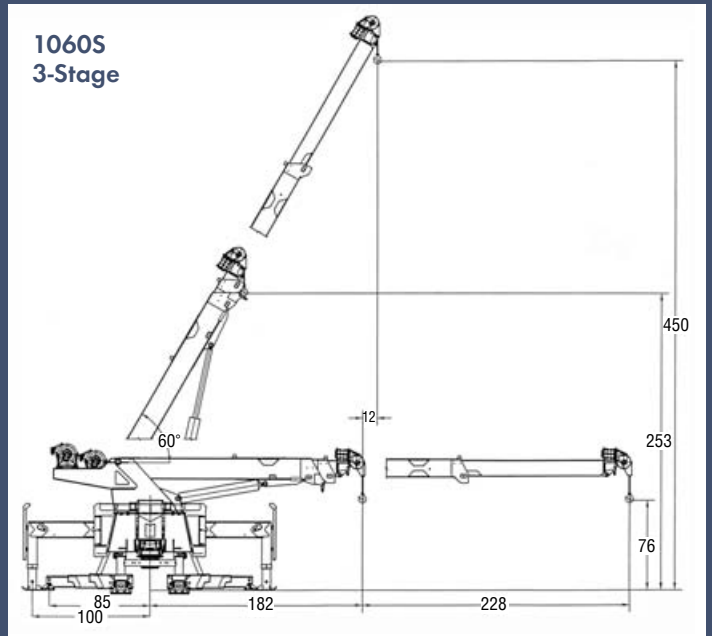
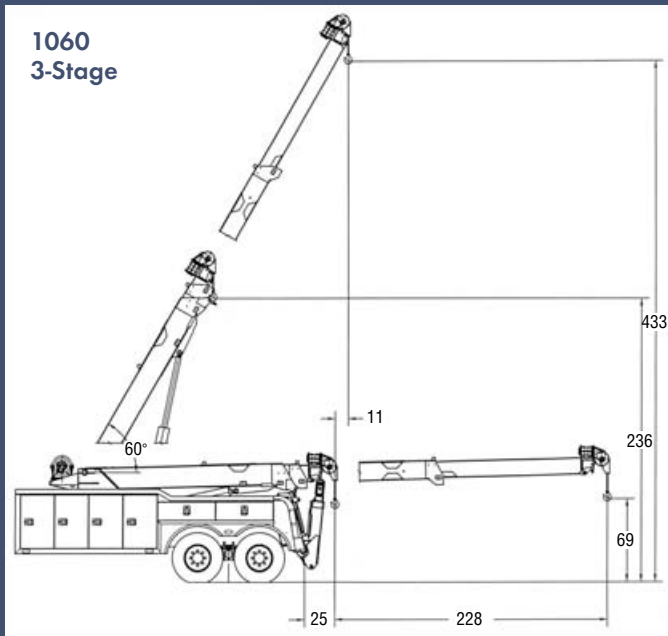
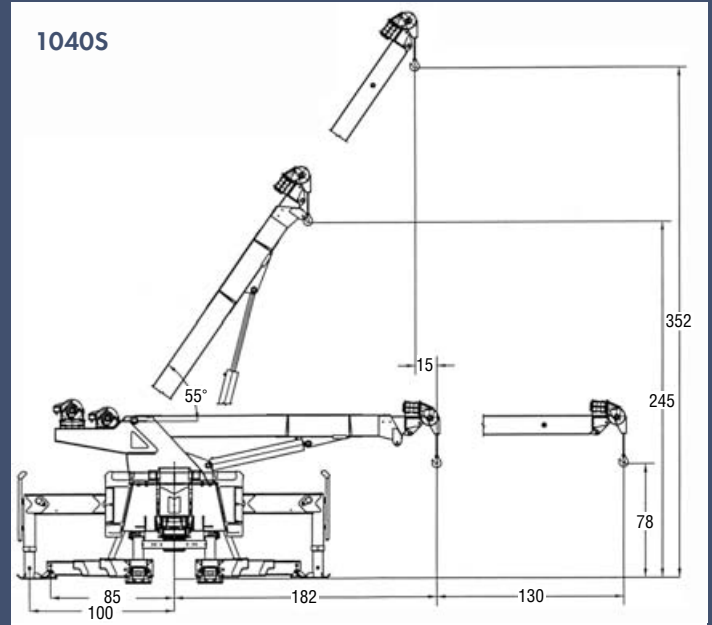
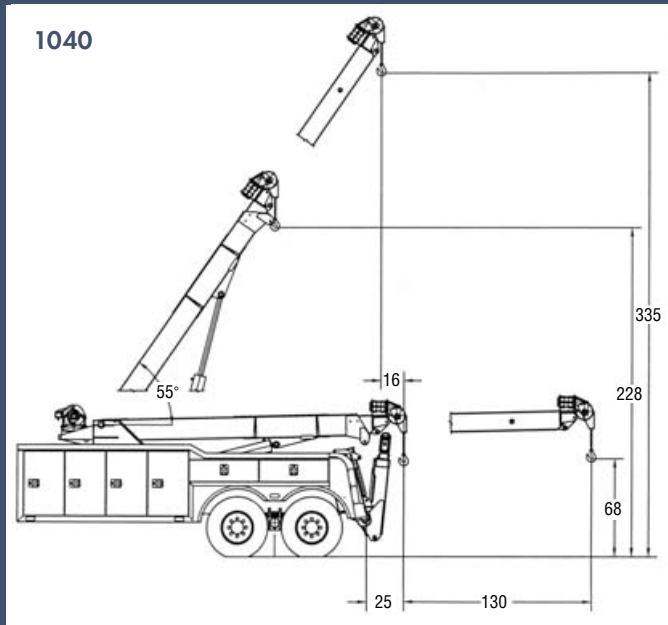
Century's aluminum body option is designed to optimize space for your lift forks and popular towing attachments. Additionally, front tunnel saddle boxes are available in a variety of sizes to meet your specific equipment storage needs.

The Century Rotators has the power to perform under difficult recovery situations.



With 360° of continuous boom rotation and travel locks located 180° apart, the boom on the Century Rotator can be carried in a rear or forward position when mounted on a chassis with adequate clearance. With the boom in the forward position, more weight can be transferred to the front axle when towing a heavy load. This also provides clearance over the deck of the rotator when towing trucks or fire engines with front overhang, such as ladders, snorkles or buckets.

# CENTURY®



MODEL	Front Axle (lbs.)	Rear Axle (lbs.)	Clear C.B.	After Frame from Center of Rear Axle	R.B.M. (in./lbs.)
925	12,000	40,000	156"	40"	2.0
1040, 1040B	12,000	40,000	156"	40"	2.8
1040S	20,000	46,000	180"	40"	3.5
1060	20,000	46,000	156"	40"	3.5
1060S	20,000	46,000	180"	40"	3.5

**Recommended Minimum Chassis Specifications:** All recommendations are minimums, heavier specifications may be required depending on chassis and equipment. A tandem chassis may be used but a tri-axle is recommended for rotator and heavy fixed boom applications. Maximum frame height for units equipped with a SDU-3 underlift is 42 inches. Always consult your local distributor or the factory for additional information.

The outside frame rails of chassis extending behind cab must be free of fuel tanks, air tanks, battery boxes, etc.