

CENTURY®

LEGENDARY LEADERSHIP

In A Class By Itself!



Some optional equipment shown.

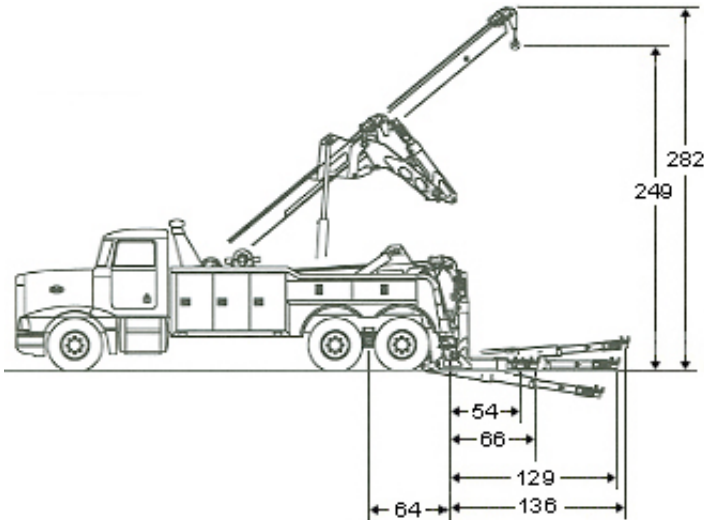
CENTURY'S 7035 HEAVY-DUTY TOWING and RECOVERY EQUIPMENT

The 7035 is Century's most popular heavy-duty unit. The underlift provides 129" of reach and is designed to scale in most situations. The 35-ton recovery boom and 35,000 lb. winches allows the 7035 to tackle the toughest lifting and recovery jobs, making it extremely versatile for heavy-duty towing and recovery. Also, the newly-designed tailboard incorporates diagonally-opposed outriggers and dual position feet to provide stability and holding power on a variety of surfaces.

Note: Some optional equipment may be shown. Other Century towing and recovery equipment is available from your local Century Distributor.

Century 7035

Wrecker Specifications



Body

- Standard Body Configuration
 > 156" C.A. Aluminum
- Optional Body Configuration
 > 180" C.A. Aluminum
 > 204" C.A. Aluminum

Maximum frame height for the 7035 is 42".
 Contact the factory for information on taller frame height.

Boom

- Boom Structural Rating (S.A.E.)
- > Retracted 30° 70,000 lbs.
 - > Extended 30° 22,000 lbs.
- Maximum Extension 130"
 Maximum Angle 40°
 Maximum Hook Height 249"
 Reach Past Underlift 3° Boom Angle 125"
 Lift Cylinder Size 6" Bore
 *Estimated Shipping Weight 14,220 lbs.

Winch

- Winch Capacity (2) 35,000 lbs.
 Winch Type Planetary
 Cable Specifications
- > 3/4" x 250'
 - > 6 x 37 I.W.R.C.
- Air Cable Tensioners Standard
 Air Winch Clutch Release Standard

Underlift

- Underlift Tilt 10° + 10° -
 Capacity Fully Extended to C.L. of Forks 16,000 lbs. @ 129"
 Capacity Fully Retracted to C.L. of Forks 35,000 lbs. @ 54"

Recommended Minimum Chassis

- Front Axle 13,200
 Rear Axle 40,000
 Clear C.B. 156" C.B.
 After Frame from Center of Rear Axle 40"
 R.B.M. 2,250,000 in/lb.

All recommendations are minimums, heavier specifications may be required depending on chassis and equipment weight, always consult your local distributor or the factory for additional information. The outside frame rails of chassis extending behind cab must be free of fuel tanks, air tanks, battery boxes, etc.

Standard Body Features

- Aluminum Modular Body
- 96" Wide
- 3 Large Forward Compartments
- Compartment Over Wheel Well
- Galvanized Double Panel Doors
- Door Checks
- Double Action Latches w/Key
- Federal #108 Lighting
- Flexible Wire Loom
- Toolbox Lights
- Rubber Fenderettes
- Mud Flaps
- Side Worklights
- Chain Rack
- Fork Holders
- Recessed Air & Electrical Hookups
- Shelves
- Rubber Isolators
- Enclosed Inner Wheel Wells
- Light Pylon – 3 Piece
- "D" Rings (Tail Board Mount)
- Power Touch System (Includes 15-Function Wired and Wireless Controllers, In-Cab Underlift Controls, and Front & Rear 12-Function Switch Panels)

Standard Boom Features

- Power Elevation
- Power Extension
- Dual Planetary Hydraulic Winches
- Air Cable Tensioners
- Air Free Spools
- Diagonal Rear Spade
- Flipper Foot Spade
- Dual Hydraulic Pump
- 360° Sheave Head
- Cable Tie Back (Boom)
- Dual Control Stations
- Hydraulic Pressure Gauges (Drivers Side)
- Tail Board Recovery Anchors

Standard Underlift Features

- Power Elevation
- Power Extension
- Power Tilt
- Hydraulic Fold
- 3 Stage Design
- 2 Piece Pivot Pin
- Upper/Lower Thrust Washer
- Handheld Lanyard
- Low Profile Crossbar

Standard Underlift Features (cont)

- 70° Pivoting Crossbar
- Low Profile Fork Holders
- 8 Sets Cast Steel Forks
- 1 Pair Spring Lift Adapters
- 1 Pair Hook Adapters
- Safety Chains in Rear Pockets

Optional Equipment

- Air Shift P.T.O.
- Tailgate Underlift Controls
- Additional Body Lengths
- Tunnel Crossovers
- 24", 30", 36", and 48" Tunnel Saddle Box
- LED Smart Lights (Aluminum body)
- Convenience Group (Rails & Steps)
- Aluminum Dress-up Kits
- Composite Aerodynamic Light Pylon
- Composite Boom Wings
- 7-Drawer Tool Box
- Folding Sink
- Fork Riser Brackets
- Offset Fort Holder Extensions
- Chain Hook Slide Adapter
- Pintle Hook Attachment
- 5th Wheel Plate (Requires Pintle Hook Attachment)
- King Pin Attachment (Requires Pintle Hook Attachment)
- Trailer Ball Adapter (Requires Pintle Hook Attachment)
- Heavy-Duty Tire Lift
- Tire Lift Storage Brackets
- Additional Lifting Forks
- Low Pull "D" Ring Kit
- Chain Kits
- Recovery Straps
- Snatch Blocks
- Boom Angle Indicator
- Light Bar
- Strobe Kits
- Work & Hookup Lighting
- Wide Load Light Bar
- On-Board Truck Scale
- Engine Data Information Center
- Rear Camera and Monitor
- Installation

All ratings are based on structural factors only, not vehicle capacities or capabilities. Specifications shown are approximations and may vary depending on chassis selected. Miller Industries Towing Equipment Inc. reserves the right to change or modify product and or specifications without notice or obligation. Some equipment shown is optional.



8503 Hilltop Drive
 Ooltewah, TN 37363
 PHONE (423) 238-4171
 (800) 292-0330
 FAX (423) 238-5371

DISTRIBUTED BY: