

# CENTURY®

LEGENDARY LEADERSHIP

## Century Has The Dominating Force!



Some optional equipment shown.

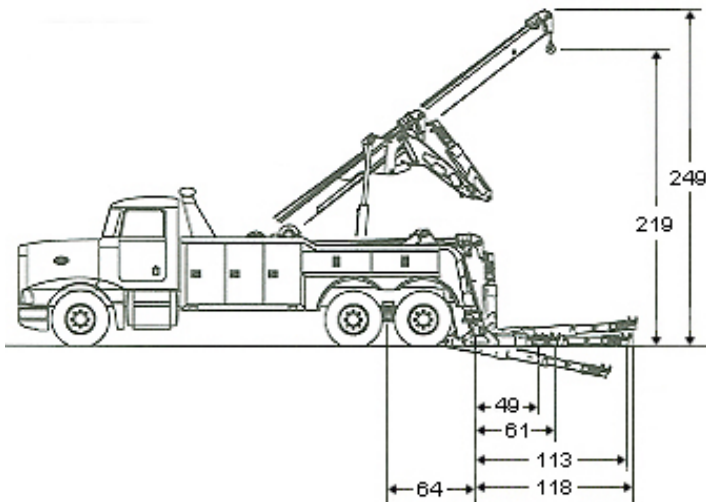
## CENTURY'S 5230 SETTING THE STANDARD

The 5230 is designed to be the ideal unit for towing when scale weight is an issue. The 5230 provides 113" of underlift reach to easily handle most vehicles and is standard with Century's weight-saving aluminum body. A 30-ton recovery boom and dual 25,000 lb. winches completes this popular package.

**Note:** Some optional equipment may be shown. Other Century towing and recovery equipment is available from your local Century Distributor.

# Century 5230

## Wrecker Specifications



### Body

- Standard Body Configuration
  - 156" C.B. Aluminum
- Optional Body Configuration
  - 180" C.B. Aluminum
  - 204" C.B. Aluminum

Maximum frame height for the 5230 is 42".

Contact the factory for information on taller frame height.

### Boom

- Boom Structural Rating (S.A.E.)
  - Retracted 30° ..... 60,000 lbs.
  - Extended 30° ..... 16,000 lbs.
- Maximum Extension ..... 120"
- Maximum Angle ..... 39°
- Maximum Hook Height ..... 219"
- Reach Past Underlift 3° Boom Angle ..... 112"
- Lift Cylinder Size ..... 5-1/2" Bore
- \*Estimated Shipping Weight ..... 12,060 lbs.

### Winch

- Winch Capacity ..... (2) 25,000 lbs.
- Winch Type ..... Planetary
- Cable Specifications
  - 5/8" x 200'
  - 6 x 37 I.W.R.C.
- Air Cable Tensioners ..... Standard
- Air Winch Clutch Release ..... Standard

### Underlift

- Underlift Tilt ..... 10° + 10° -
- Capacity Fully Extended to C.L. of Forks ..... 16,000 lbs. @ 113"
- Capacity Fully Retracted to C.L. of Forks ..... 35,000 lbs. @ 49"

### Recommended Minimum Chassis

- Front Axle ..... 13,200
- Rear Axle ..... 40,000
- Clear C.B. .... 156" C.B.
- After Frame from Center of Rear Axle ..... 40"
- R.B.M. .... 2,250,000 in/lb.

All recommendations are minimums, heavier specifications may be required depending on chassis and equipment weight, always consult your local distributor or the factory for additional information. The outside frame rails of chassis extending behind cab must be free of fuel tanks, air tanks, battery boxes, etc.

### Standard Body Features

- Aluminum Body
- 96" Wide
- 3 Large Forward Compartments
- Compartment Over Wheel Well
- Galvanized Double Panel Doors
- Door Checks
- Double Action Latches w/Key
- Federal #108 Lighting
- Flexible Wire Loom
- Toolbox Lights
- Rubber Fenderettes
- Mud Flaps
- Side Worklights
- Chain Rack
- Fork Holders
- Recessed Air & Electrical Hookups
- Shelves
- Rubber Isolators
- Enclosed Inner Wheel Wells
- Light Pylon – 3 Piece
- Power Pal System includes 8-Function , Hand-Held Lanyard Control and 9-Function Floor-Mounted Switch Panel

### Standard Boom Features

- Power Elevation
- Power Extension
- Dual Planetary Hydraulic Winches
- Air Cable Tensioners
- Air Free Spools
- Diagonal Rear Spade
- Flipper Foot Spade
- Dual Hydraulic Pump
- 360° Sheave Head
- Cable Tie Back (Boom)
- Dual Control Stations
- Hydraulic Pressure Gauges (Drivers Side)
- Tail Board Recovery Anchors

### Standard Underlift Features

- Power Elevation
- Power Extension
- Power Tilt
- Hydraulic Fold
- 3 Stage Design
- 2 Piece Pivot Pin
- Upper/Lower Thrust Washer
- Handheld Lanyard
- Low Profile Crossbar
- 70° Pivoting Crossbar
- Low Profile Fork Holders
- 8 Sets Cast Steel Forks

### Standard Underlift Features (cont)

- 1 Pair Spring Lift Adapters
- 1 Pair Hook Adapters
- Safety Chains in Rear Pockets

### Optional Equipment

- Air Shift P.T.O.
- Tailgate Underlift Controls
- Additional Body Lengths
- Aluminum Modular Boxes
- Tunnel Crossovers
- 24", 30", 36", and 48" Tunnel Saddle Box
- LED Smart Lights (Aluminum body)
- Convenience Group (Rails & Steps)
- Aluminum Dress-up Kits
- Composite Aerodynamic Light Pylon
- Composite Boom Wings
- 7-Drawer Tool Box
- Folding Sink
- Offset Fort Holder Extensions
- Chain Hook Slide Adapter
- Pintle Hook Attachment
- 5<sup>th</sup> Wheel Plate (Requires Pintle Hook Attachment)
- King Pin Attachment (Requires Pintle Hook Attachment)
- Trailer Ball Adapter (Requires Pintle Hook Attachment)
- Heavy-Duty Tire Lift
- Tire Lift Storage Brackets
- Additional Lifting Forks
- "D" Rings
- Low Pull "D" Ring Kit
- Chain Kits
- Recovery Straps
- Snatch Blocks
- Boom Angle Indicator
- Light Bar
- Strobe Kits
- Work & Hookup Lighting
- Wide Load Light Bar
- On-Board Truck Scale
- Engine Data Information Center
- Rear Camera and Monitor
- Installation
- Power Touch System includes 15-Function Wired and Wireless Controllers, In-Cab underlift Controls, and Front & Rear 12-Function Switch Panel

All ratings are based on structural factors only, not vehicle capacities or capabilities. Specifications shown are approximations and may vary depending on chassis selected. Miller Industries Towing Equipment Inc. reserves the right to change or modify product and or specifications without notice or obligation. Some equipment shown is optional.



8503 Hilltop Drive  
Ooltewah, TN 37363  
PHONE (423) 238-4171  
(800) 292-0330  
FAX (423) 238-5371

**DISTRIBUTED BY:**